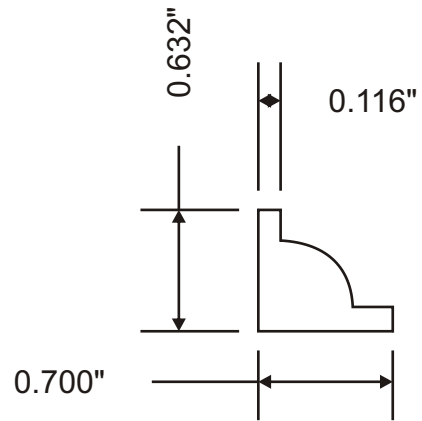


Profile Specification



Attention: \_\_\_\_\_



Customer	Part #	Specie	Dimensions	Notes
	MW3-51034		5/8" x 11/16"	
Revised			Approval Signature	