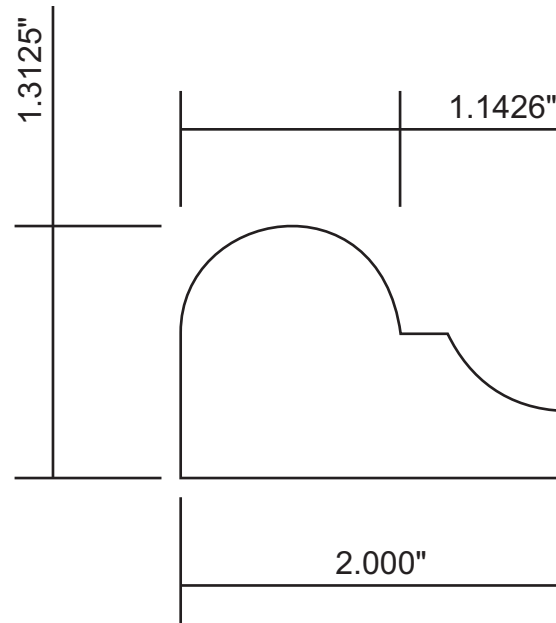


Profile Specification



Attention: \_\_\_\_\_



Customer	Part #	Specie	Dimensions	Notes
	MW3-50358		1-5/16" x 2"	
Revised			Approval Signature	