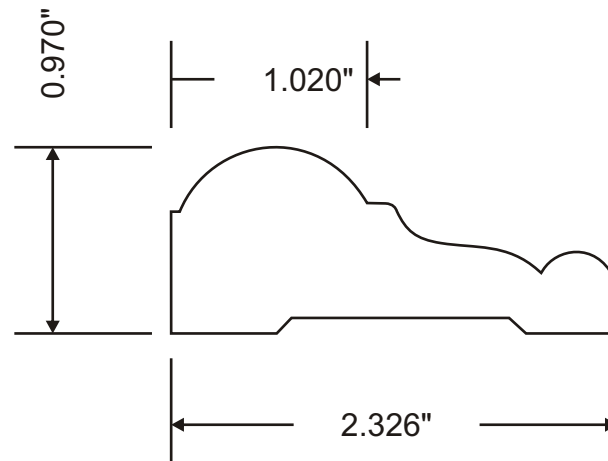


Profile Specification



Attention: \_\_\_\_\_



Customer	Part #	Specie	Dimensions	Notes
	MW3-40423		1" x 2-5/16"	
Revised			Approval Signature	