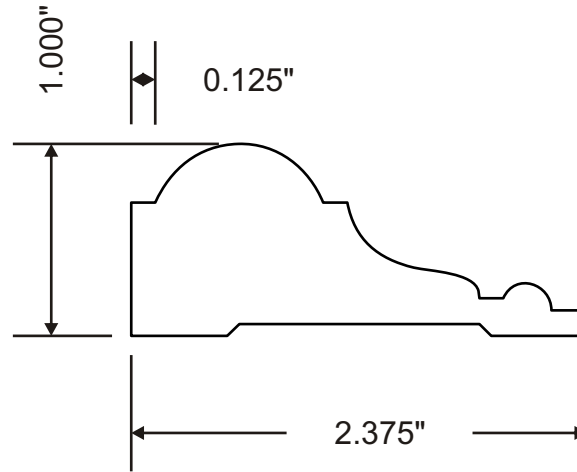


Profile Specification

MILLWORK 360

THE DEGREE OF SUPERIOR QUALITY

Attention: _____



Customer	Part #	Specie	Dimensions	Notes
	MW3-40374		1" x 2-3/8"	
Revised			Approval Signature	