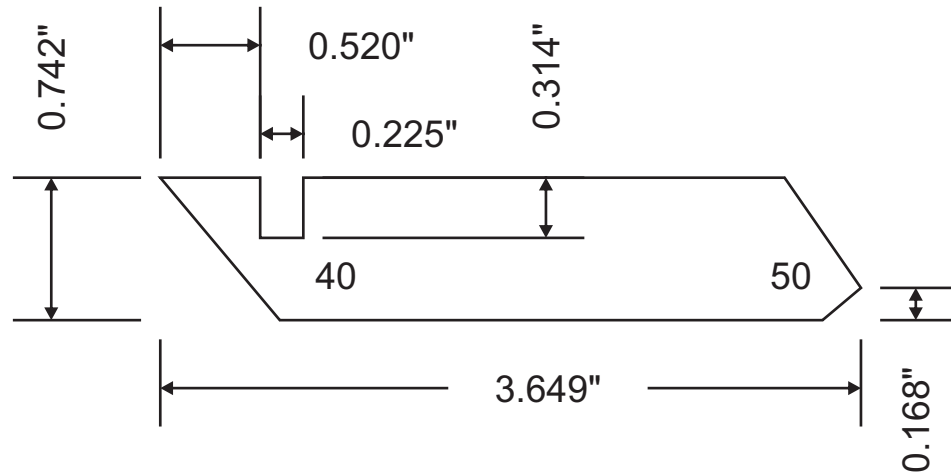




TO FIT MW3-6622



Customer	Part #	Specie	Dimensions	Notes
	MW3-30595		3/4" x 3-5/8"	
Revised			Approval Signature	