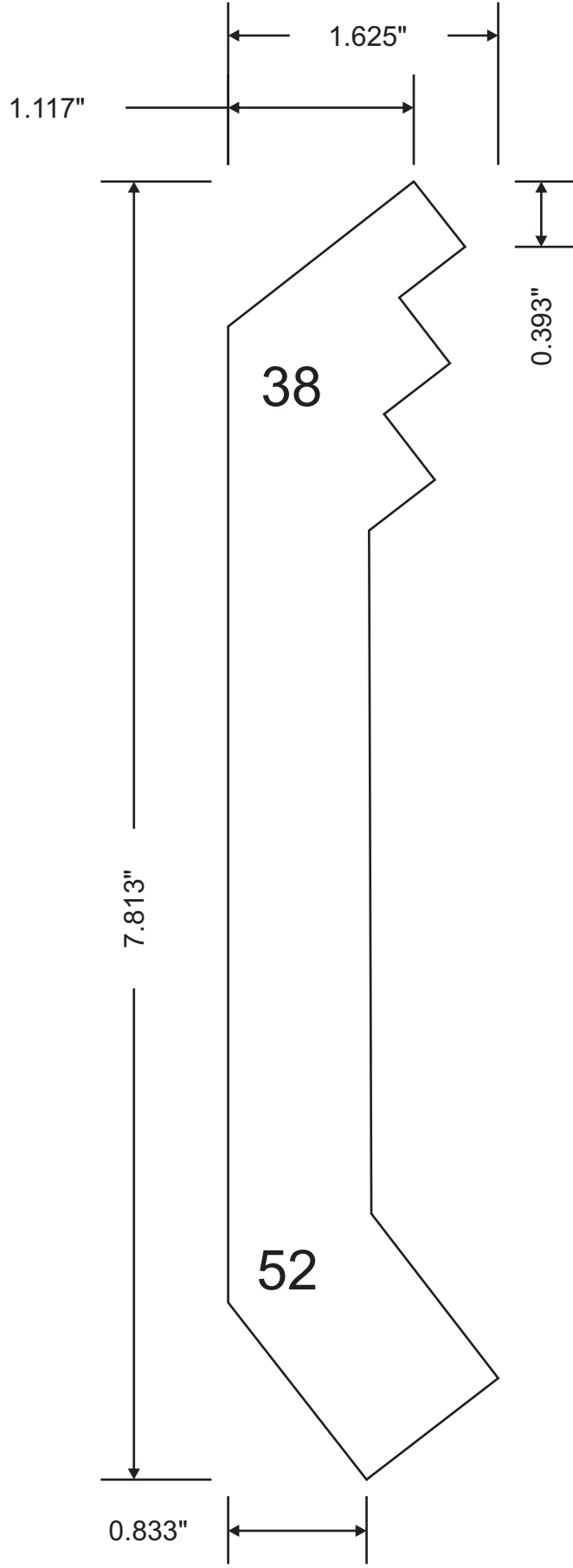


Profile Specification



Attention: \_\_\_\_\_



Customer	Part #	Specie	Dimensions	Notes
	MW3-30521		1-5/8" x 7-13/16"	
Revised			Approval Signature	