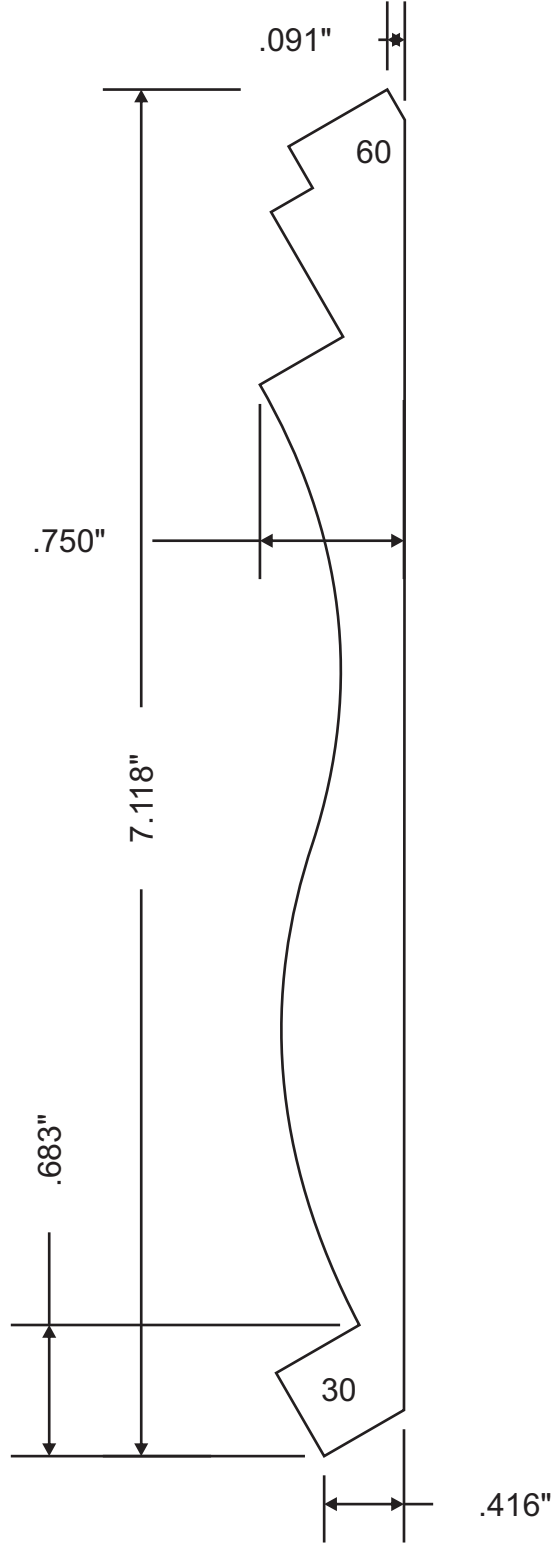


Profile Specification



Attention: _____



Customer	Part #	Specie	Dimensions	Notes
	MW3-30301		$3/4'' \times 7-1/8''$	
Revised			Approval Signature	