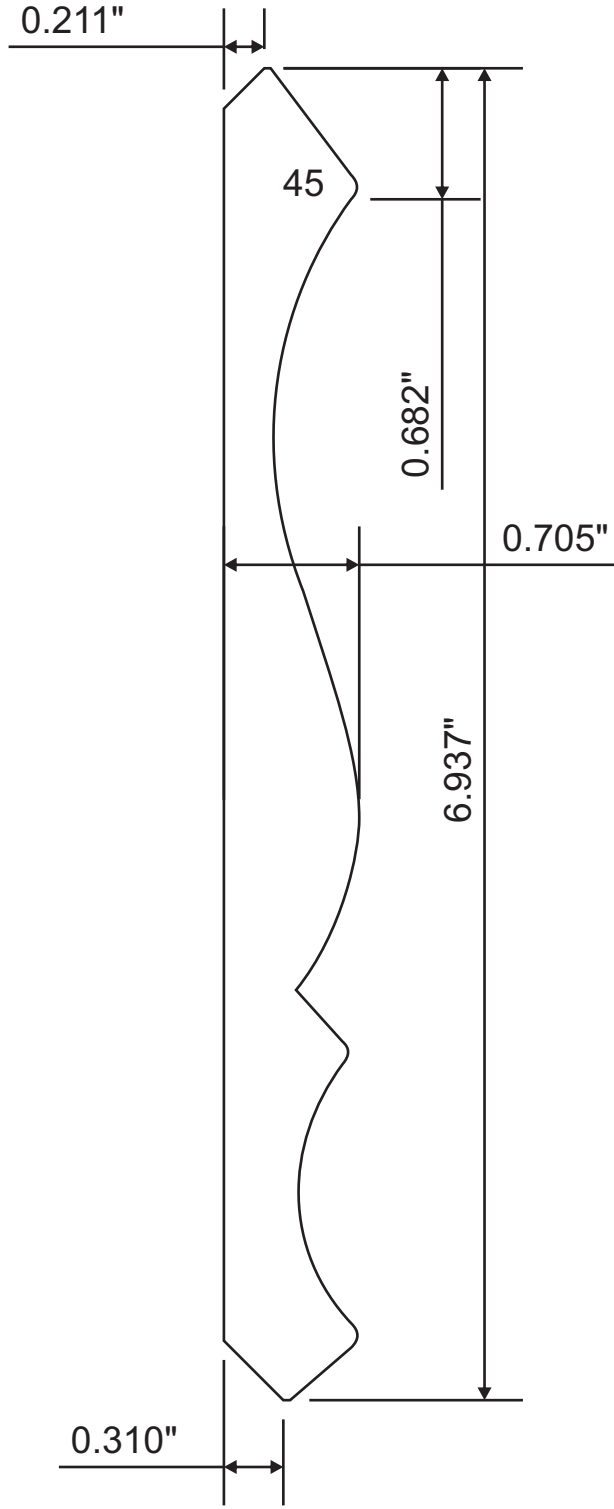


Profile Specification



Attention: _____



Customer	Part #	Specie	Dimensions	Notes
	MW3-30276		11/16" x 6-15/16"	
Revised			Approval Signature	