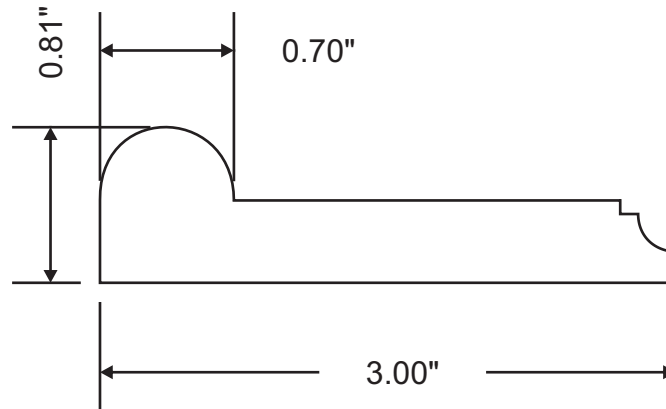


Profile Specification



Attention: _____



Customer	Part #	Specie	Dimensions	Notes
	MW3-20590		13/16" x 3"	
Revised			Approval Signature	