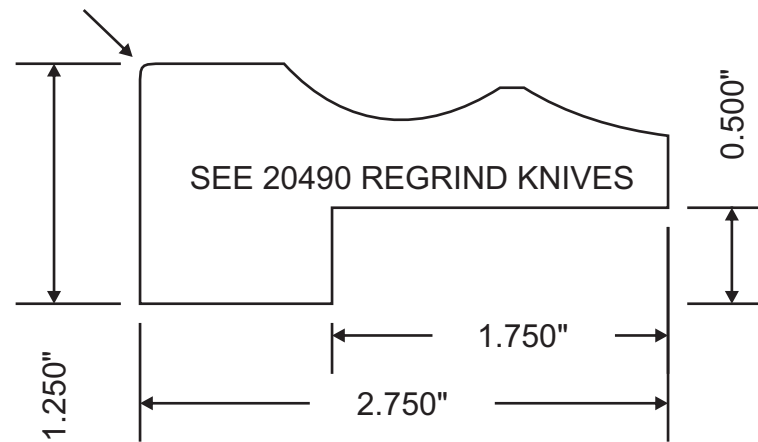




1/16" EASED EDGE



| Customer | Part # | Specie | Dimensions | Notes |
|----------|-----------|--------|--------------------|-------|
| | MW3-20505 | | 1-1/4" x 2-3/4" | |
| Revised | | | Approval Signature | |
| | | | | |