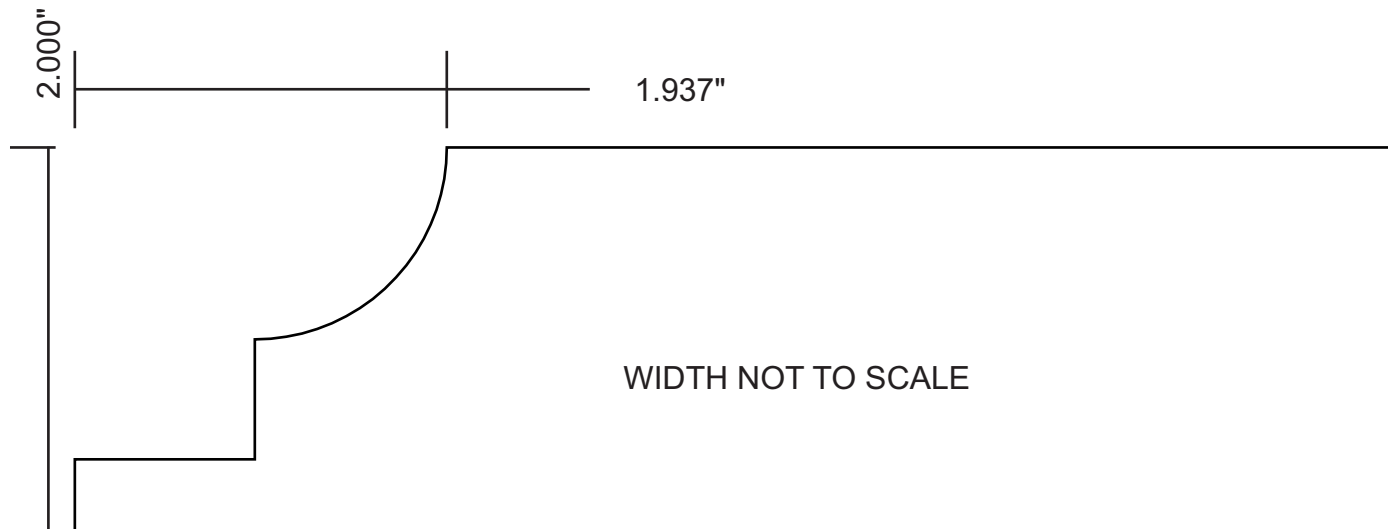


Profile Specification



Attention: _____



Customer	Part #	Specie	Dimensions	Notes
	MW3-10589		2" x 10-15/16"	
Revised			Approval Signature	