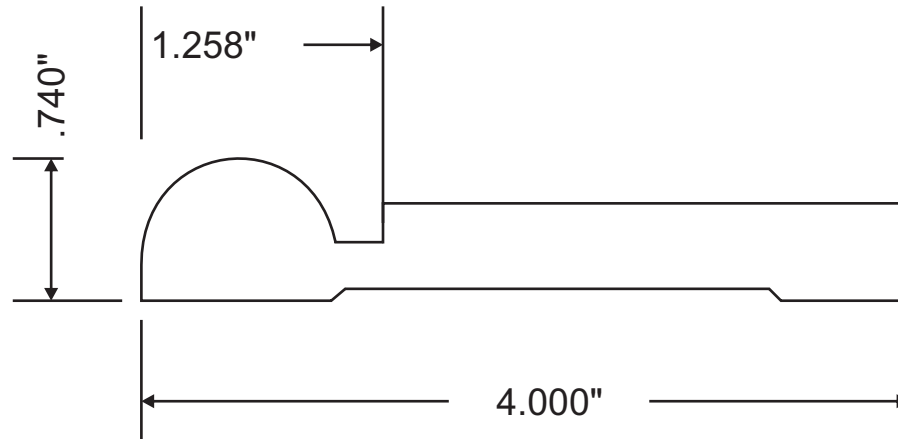


Profile Specification



Attention: \_\_\_\_\_



Customer	Part #	Specie	Dimensions	Notes
	MW3-10417		3/4" x 4"	
Revised			Approval Signature	