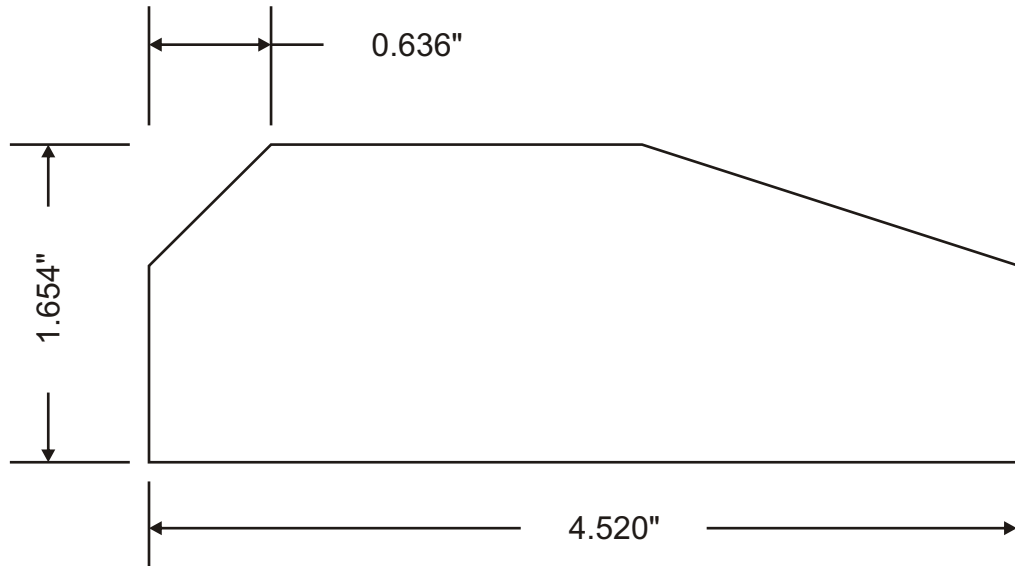


Profile Specification



Attention: _____



Customer	Part #	Specie	Dimensions	Notes
	MW3-084PL		1-11/16" x 4-1/2"	
Revised			Approval Signature	