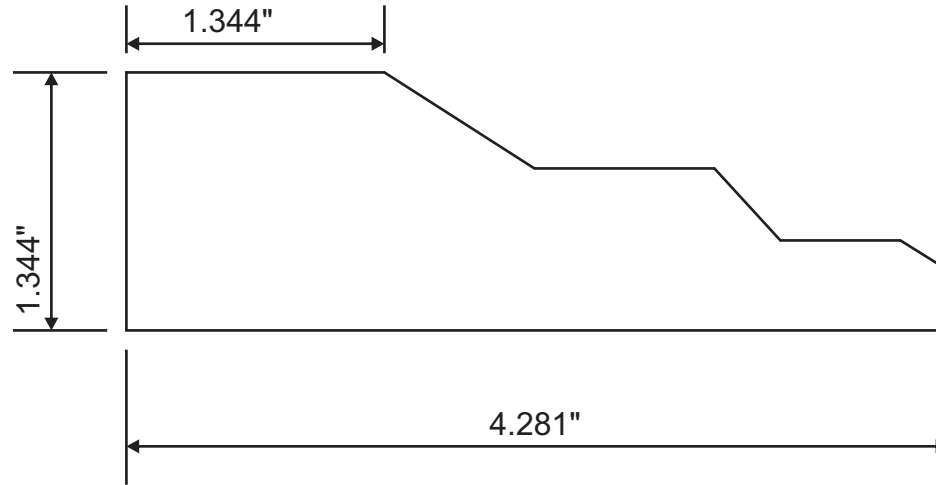


Profile Specification



Attention: \_\_\_\_\_



Customer	Part #	Specie	Dimensions	Notes
	MW3-018PL		1-11/32" x 4-9/32"	
Revised			Approval Signature	